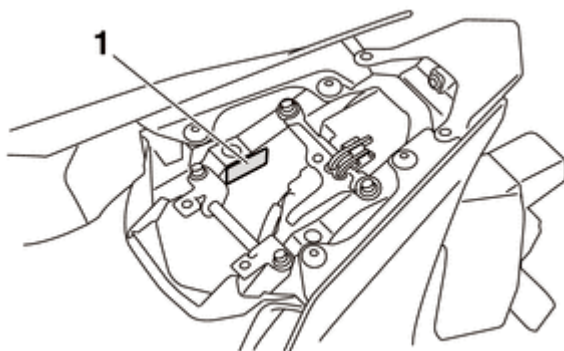


MODEL LABEL

The model label "1" is affixed to the frame under the passenger seat. This information will be needed to order spare parts (может Вам понадобиться при заказах запасных частей).



VEHICLE IDENTIFICATION NUMBER

The vehicle identification number "1" is stamped into the right side of the steering head pipe (идентификационный номер мотоцикла VIN).

